
2 Parts and diagrams

- [Order parts by authorized service providers](#)
- [How to use the parts lists and diagrams](#)
- [Assembly locations](#)
- [Covers, panels, and doors](#)
- [Internal assemblies](#)
- [Scanner and document feeder \(ADF\) assemblies](#)
- [Alphabetical parts list](#)
- [Numerical parts list](#)

Order parts by authorized service providers

Order replacement parts

Table 2-1 Order parts, accessories, and supplies

Order supplies and paper	www.hp.com/go/suresupply
Order genuine HP parts or accessories	www.hp.com/buy/parts
Order through service or support providers	Contact an HP-authorized service or support provider.

Related documentation and software

Table 2-2 Related documentation and software

Item	Description	Part number
<i>HP Color LaserJet Pro MFP M176, M177 User Guide</i>	Product user guide	CF548-90908
<i>HP Color LaserJet Pro MFP M176, M177 Repair Manual</i>	English repair manual (this manual)	CZ165-90943
<i>HP Color LaserJet Pro MFP M176, M177 Troubleshooting Manual</i>	English troubleshooting manual	CZ165-90944
<i>HP Color LaserJet Pro MFP M176, M177 Removal and Troubleshooting Manual</i>	Simplified Chinese manual	CZ165-90945

Supplies part numbers

Table 2-3 Supplies part numbers

Item	Description	Part number
HP 130A Black LaserJet Toner Cartridge	Replacement black toner cartridge	CF350A
HP 130A Cyan LaserJet Toner Cartridge	Replacement cyan toner cartridge	CF351A
HP 130A Magenta LaserJet Toner Cartridge	Replacement magenta toner cartridge	CF352A
HP 130A Yellow LaserJet Toner Cartridge	Replacement yellow toner cartridge	CF353A
Imaging drum	Replacement imaging drum	CE314A

Accessories

Table 2-4 Accessories part numbers

Item	Description	Part number
Power Cord, straight	(AB2) 220V-10A China	8121-0943
	(AB0) 110V - 13A Taiwan	8121-0964
	(AB1, BBU, B19, AAZ) 220V - 10A Korea, EU generic	8121-0731
	(ACJ) 220V - 6A India	8121-0564
	(BBU, B19) 220V - 10A UK, Asia Pacific Countries/Regions	8121-0739
	(BGM) 220V - 10A Australia, New Zealand	8121-0837
	(ABT) 220V - 10A Israel	8121-1004
	(ABY) 220V - 10A Denmark	8121-0733
	(ACQ) 220V - 10A South Africa	8121-0737
	(BAZ) 220V - 10A Switzerland	8121-0738
	(AC4, 696) 110V - 10A Brazil	8121-1071
	(AC8) 220V - 10A Argentina	8121-0729
	(201, 202, 697, AAZ, ABM, AKV, B1H, BGJ) 110V - 10A North America	8121-0740
	(697, AAZ, AKV) 220V - 10A South America, Chile, Peru	8121-0735
	(BBU) 220/110V - Thailand, Philippines	8121-0734
Phone cord (M177 model)	Israel - Unique cord	8120-8913
	Switzerland - Unique cord	8121-0844
	Korea - Unique cord	8120-8908
	4 wire RJ-11 phone cord (Europe, Middle East, Africa)	8120-8922
	2-wire RJ-11 phone cord (rest of world)	8121-0811
USB cable	Cable Assembly USB A-B; 28 AWG-twisted ROHS (M176 model)	8121-0868
	Cable Assembly USB A-B 1.0-M-LG ROHS (M177 model)	8121-1058
Other	Adapter, PTT/RJ11, UK, Black (BGM required with 8121-0811)	234441-032

Customer replaceable units (CRU) kit part numbers

Table 2-5 Customer replaceable units (CRU) kit part numbers

Item	Description	Part number
Kit, separation pad install replacement	Separation pad	CF547-65010
	Instruction sheet	
Kit, paper pickup tray install replacement	Paper pickup tray	CF547-65011
	Instruction sheet	
Kit, paper deliver tray install replacement	Paper delivery tray	CF547-65012
	Instruction sheet	
Kit, dust cover install replacement	Dust cover	CF547-65013
	Instruction sheet	

Whole-unit replacement part numbers





NOTE: Whole-unit replacement products include the formatter PCA.

Table 2-6 Whole-unit replacement part numbers

Item	Description	Replacement part number	Exchange part number
HP Color LaserJet Pro MFP M176n	110 V	CF547-67901	CF547-69001
	220 V	CF547-67902	CF547-69002
HP Color LaserJet Pro MFP M177fw	110 V	CZ165-67901	CZ165-69001
	220 V, Asia Pacific Countries/Regions	CZ165-67903	CZ165-69003
	220 V, Europe	CZ165-67904	CZ165-69004

How to use the parts lists and diagrams

 **CAUTION:** Be sure to order the correct part. When looking for part numbers for electrical components, pay careful attention to the voltage that is listed. Doing so will make sure that the part number selected is for the correct model.

 **NOTE:** In this manual, the abbreviation “PCA” stands for “printed circuit-board assembly.” Components described as a PCA might consist of a single circuit board or a circuit board plus other parts, such as cables and sensors.

The figures in this chapter show the major subassemblies in the product and their component parts. A parts list table follows each exploded view assembly diagram. Each table lists the item number, the associated part number, and the description of each part. If a part is not listed in the table, it is not a field replacement unit (FRU).

Assembly locations

Base product (no document feeder or scanner)

Figure 2-1 Locations of major components, base product

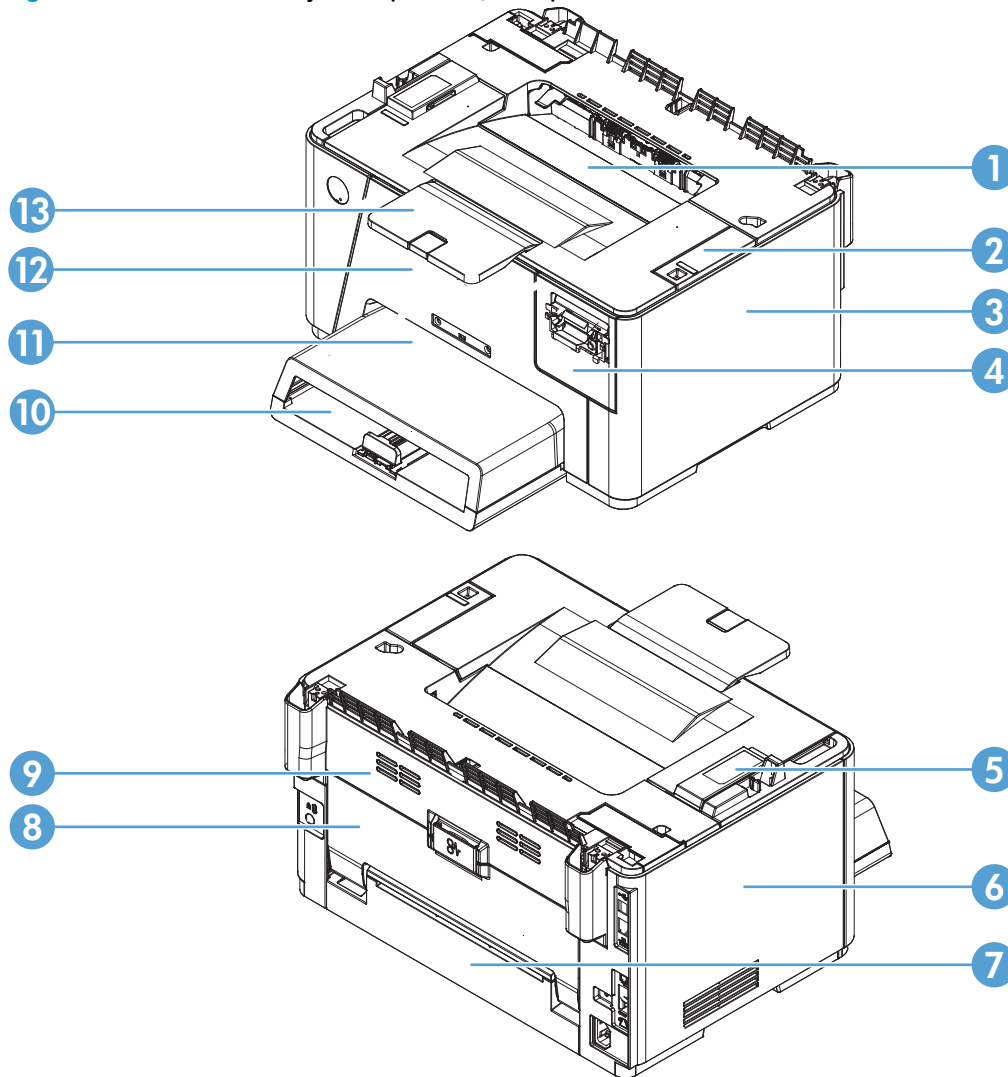


Table 2-7 Locations of major components, base product

Item	Description	Item	Description
1	Upper cover assembly	8	Rear cover assembly
2	Right upper cover assembly	9	Fuser cover
3	Right cover	10	Input tray
4	Control panel cover	11	Dust cover
5	Inner cover assembly	12	Cartridge door
6	Left cover assembly	13	Output extension tray
7	Power supply cover assembly		

Covers, panels, and doors

Figure 2-2 Covers, panels, and doors

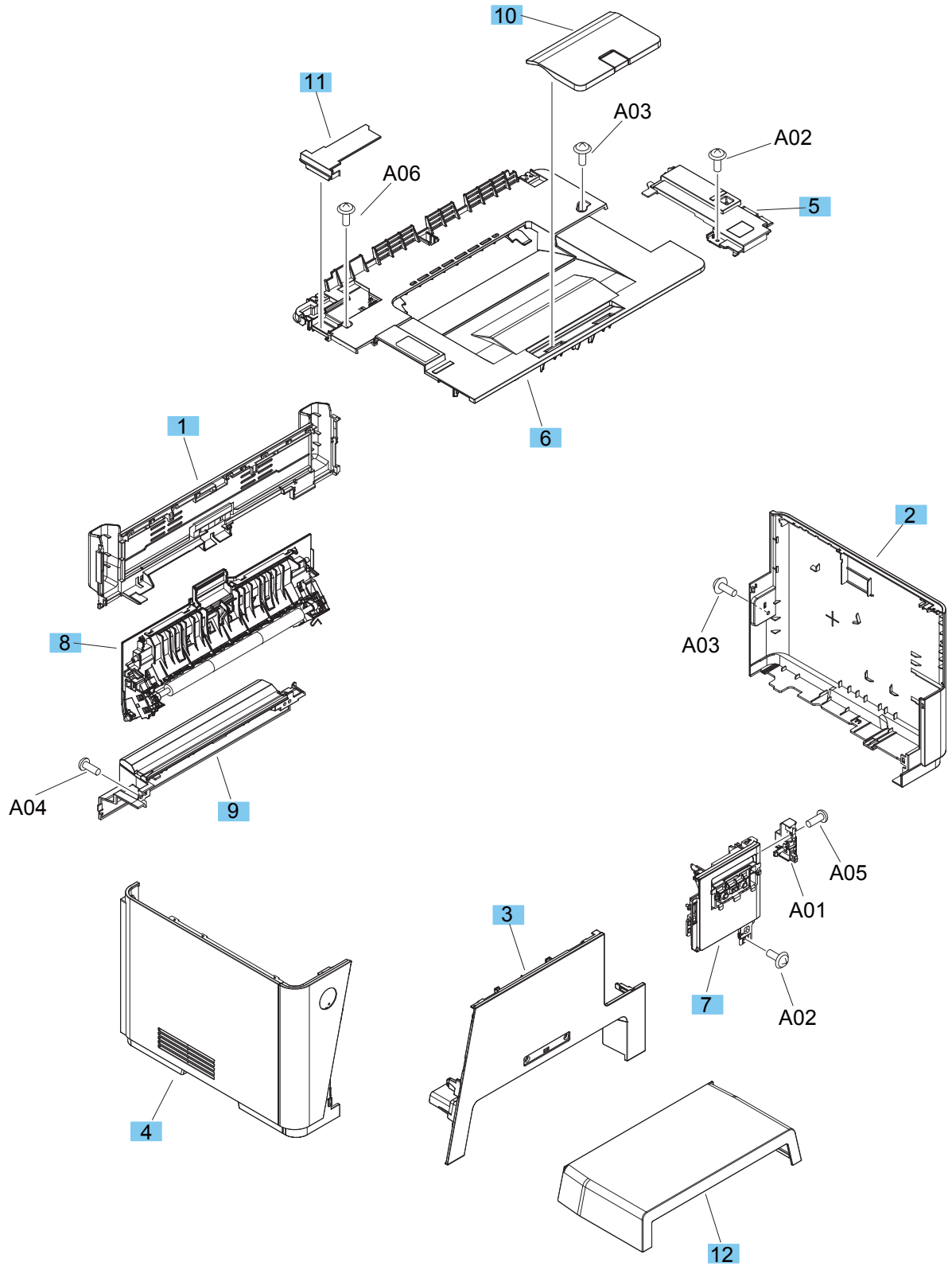


Table 2-8 Covers, panels, and doors

Ref	Description	Part number	Qty
1	Cover, fuser	RC3-5345-000CN	1
2	Cover, right	RC3-5348-000CN	1
3	Door, cartridge	RC3-5357-000CN	1
4	Left cover assembly	RL1-3930-000CN	1
5	Right upper cover assembly	RL1-3936-000CN	1
6	Upper cover assembly	RM2-0138-000CN	1
7	Operation panel assembly	RM2-0142-000CN	1
8	Rear cover/secondary transfer assembly	RM2-0162-000CN	1
9	Power supply cover assembly	RM2-0164-000CN	1
10	Extension tray assembly	RM2-0168-000CN	1
11	Cover, flat cable	RC3-5353-000CN	1
12	Cover, dust	RC3-5146-000CN	1
	Control panel assembly—2 line LCD (M176 model) (not shown)	CF547-60109	1
	Control panel assembly—touchscreen (M177 model) (not shown)	CF547-60110	1
	Fax rubber cap (M177 model) (not shown)	CZ185-40001	1

Internal assemblies

Figure 2-3 Internal assemblies

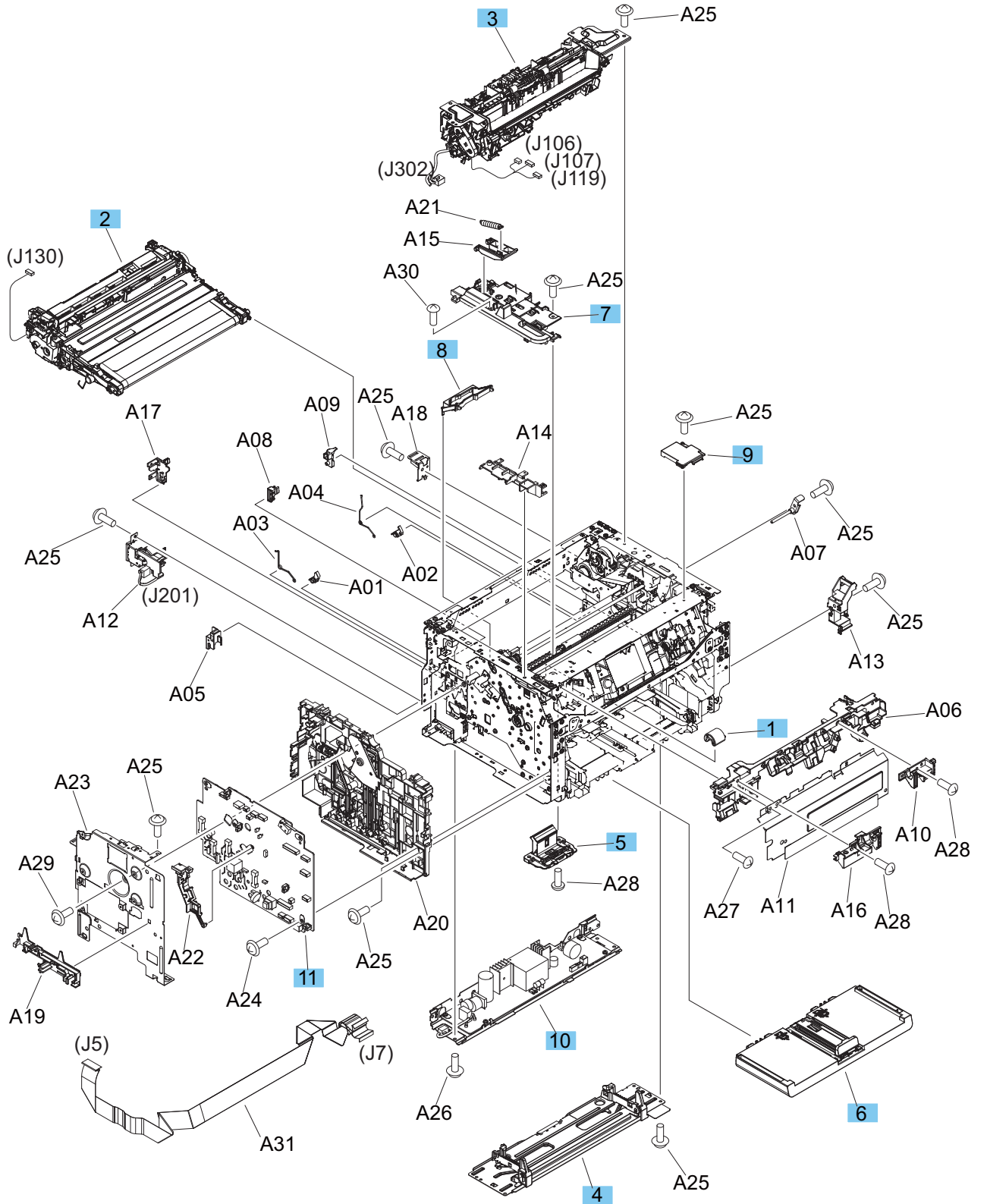


Table 2-9 Internal assemblies

Ref	Description	Part number	Qty
1	Roller, paper pick-up	RL1-2671-000CN	1
2	Intermediate transfer belt assembly (ITB)	RM2-0175-000CN	1
3	Fuser delivery assembly (110-127 V)	RM2-0157-000CN	1
3	Fuser delivery assembly (220-240 V)	RM2-0167-000CN	1
4	Base plate assembly	RM2-0160-000CN	1
5	Separation pad assembly	RM2-0170-000CN	1
6	Main tray assembly	RM2-0144-000CN	1
7	Inner cover assembly	RM2-0139-000CN	1
8	Support, frame	RC3-0230-000CN	1
9	Cover, grounding cable	RC3-5365-000CN	1
10	Low voltage power supply assembly (110-127V)	RM2-7292-000CN	1
10	Low voltage power supply assembly (220-240V)	RM2-7293-000CN	1
11	Engine controller PCA	RM2-7300-000CN	1
	Fax module-Asia/US (M177 model) (not shown)	CF206-60001	1
	Fax module-EU (M177 model) (not shown)	CF207-60001	1
	Fax module-Brazil (M177 model) (not shown)	CF208-60001	1
	PCA, formatter (M176 model) (not shown)	CF547-60001	1
	PCA, formatter (M177 model) (not shown)	CZ165-60001	1
	WiFi board (M177 model) (not shown)	1150-7957	1

Scanner and document feeder (ADF) assemblies

Scanner and lid assembly (M176 model)

Figure 2-4 Scanner and lid assembly (M176 model)

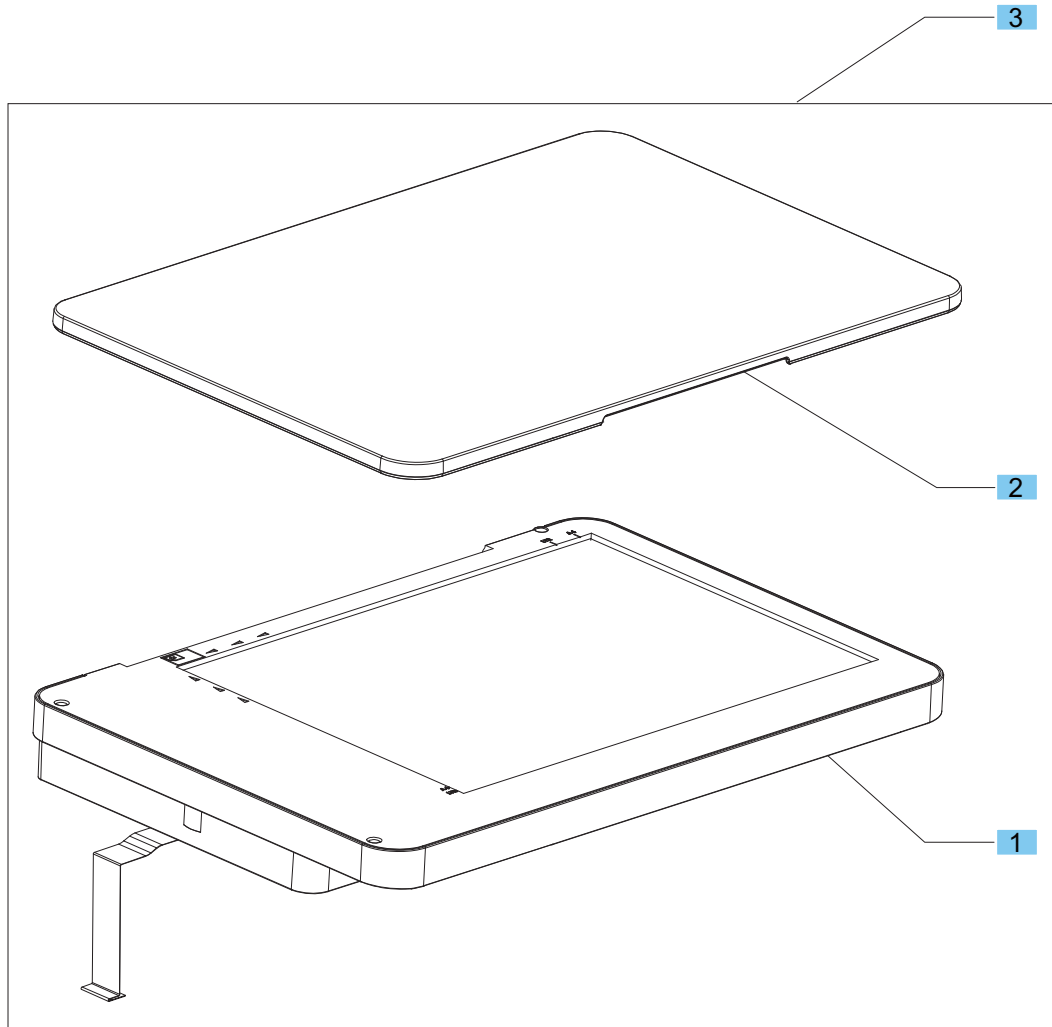



Table 2-10 Scanner and lid assembly (M176 model)

Ref	Description	Part number	Qty
1	Scanner assembly (M176 model)	CF547-60108	1
2	Lid, document	CF547-60111	1
3	Scanner/lid assembly	CF547-60101	1
	Scanner/lid assembly (bulk pack) (not shown)	CF547-60107	1

 **CAUTION:** Replace the internal scanner assemblies only in a dust-free environment.

Scanner assemblies (M176 model)

Figure 2-5 Scanner assemblies (M176 model)

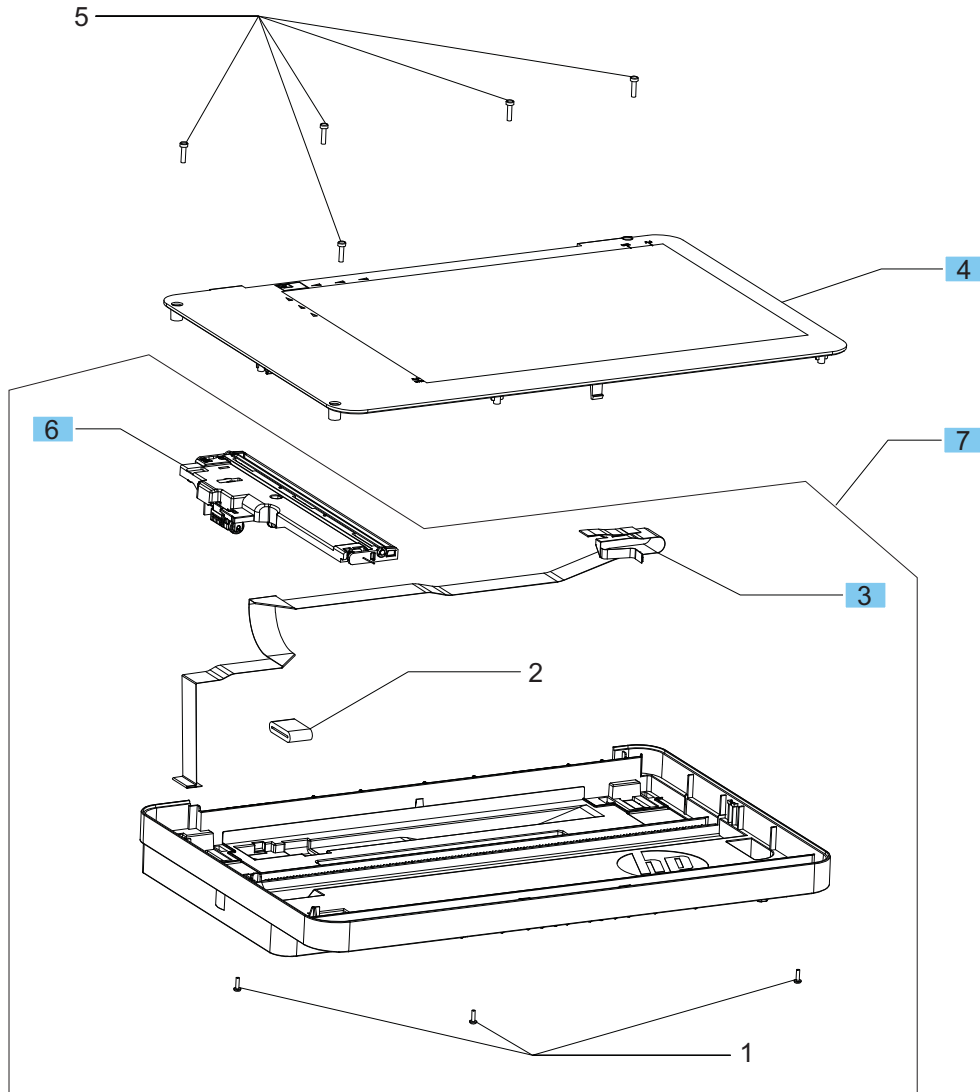



Table 2-11 Scanner assemblies (M176 model)

Ref	Description	Part number	Qty
3	SSA FFC Cable, 20 Pin	CZ165-60106	1
4	Scan bezel assembly	CF547-60112	1
6	Scan drive system assembly	CZ181-60104	1
7	Scanner base assembly	CF547-60102	1

 **CAUTION:** Replace the internal scanner assemblies only in a dust-free environment.

Scan drive system assembly (M176 and M177 models)

Figure 2-6 Scan drive system (M176 and M177 models)

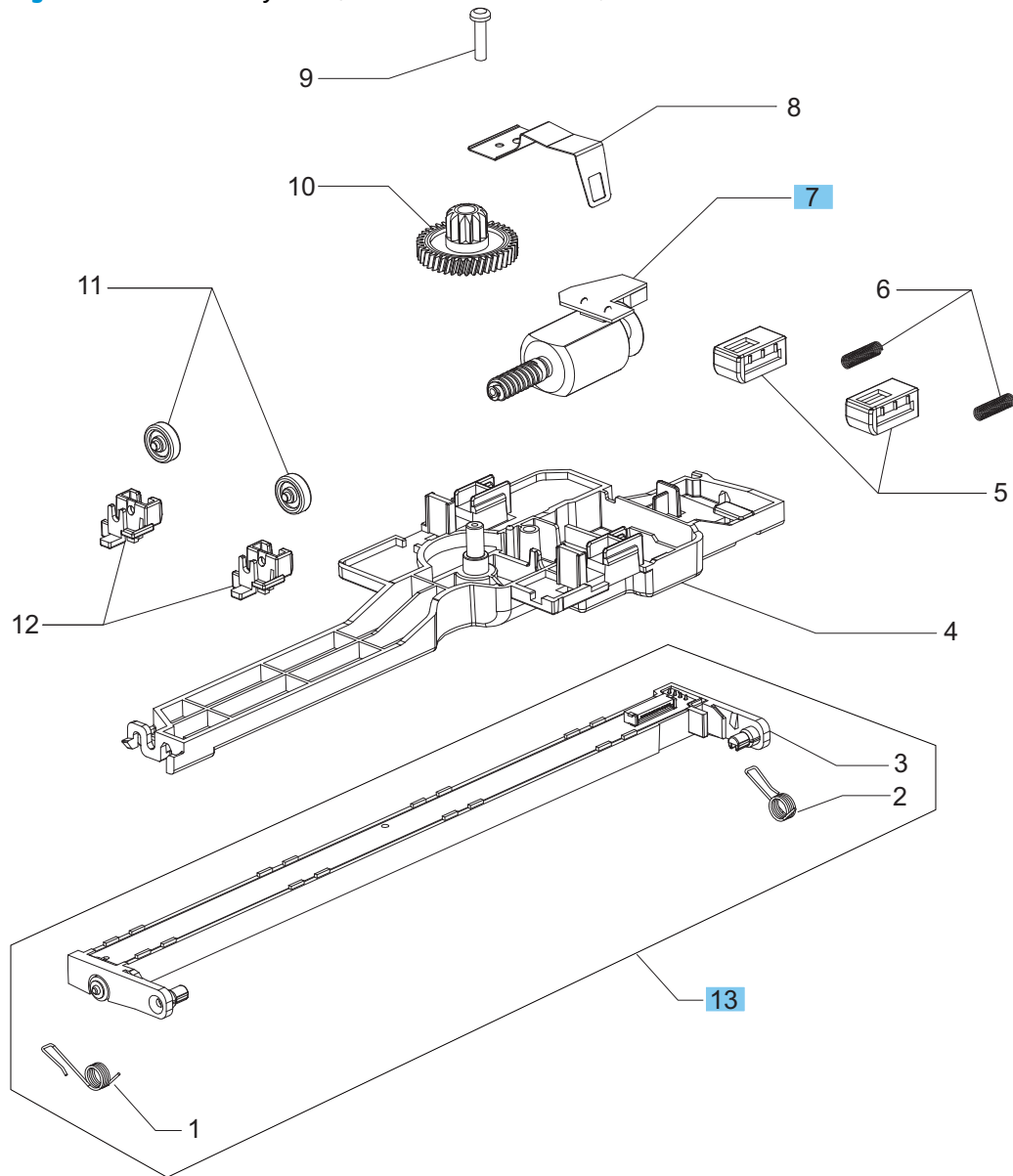



Table 2-12 Scan drive system (M176 and M177 models)

Ref	Description	Part number	Qty
7	Motor/encoder assembly	CN503-60006	1
13	Scanner with spring assembly	CZ181-60113	1

 **CAUTION:** Replace the internal scanner assemblies only in a dust-free environment.

Scanner and document feeder main assemblies (M177 model)

Figure 2-7 Scanner and document feeder main assemblies (M177 model)

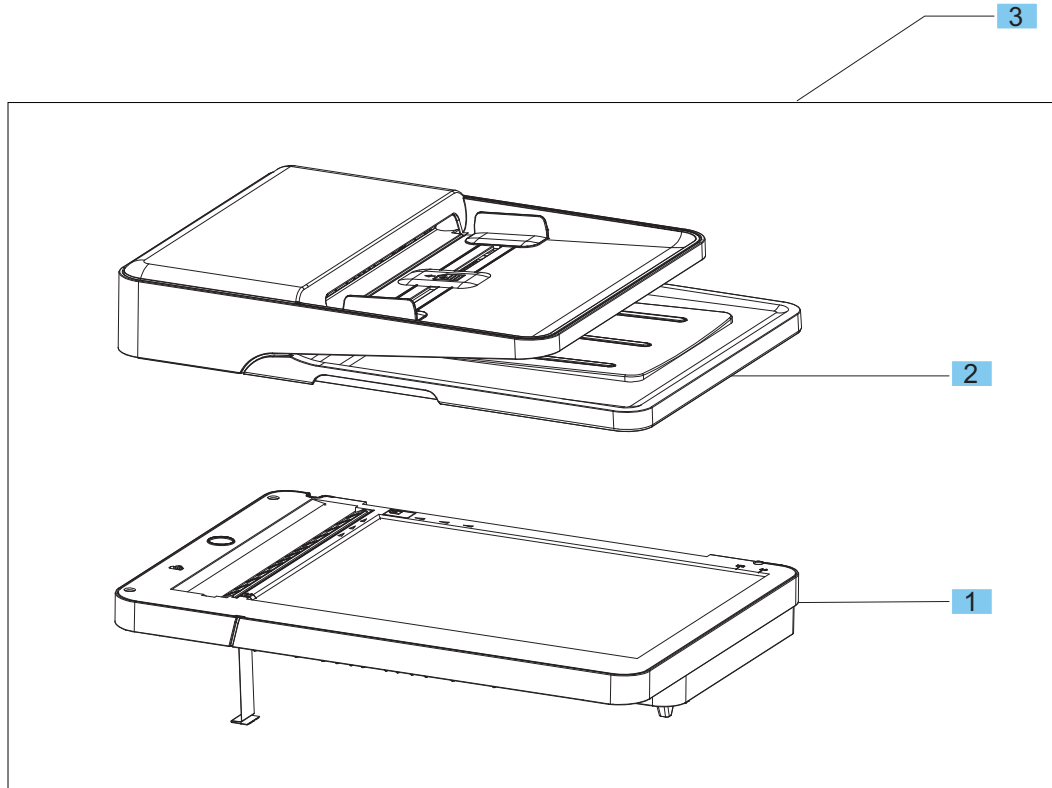



Table 2-13 Scanner and document feeder main assemblies (M177 model)

Ref	Description	Part number	Qty
1	Scanner assembly (M177 model)	CZ165-60109	1
2	Auto document feeder assembly	CZ165-60112	1
3	Scanner/ADF assembly	CZ165-60101	1
	Scanner/ADF assembly (bulk pack) (not shown)	CZ165-60107	1

 **CAUTION:** Replace the internal scanner assemblies only in a dust-free environment.

Scanner assembly (M177 model)

Figure 2-8 Scanner assembly (M177 model)

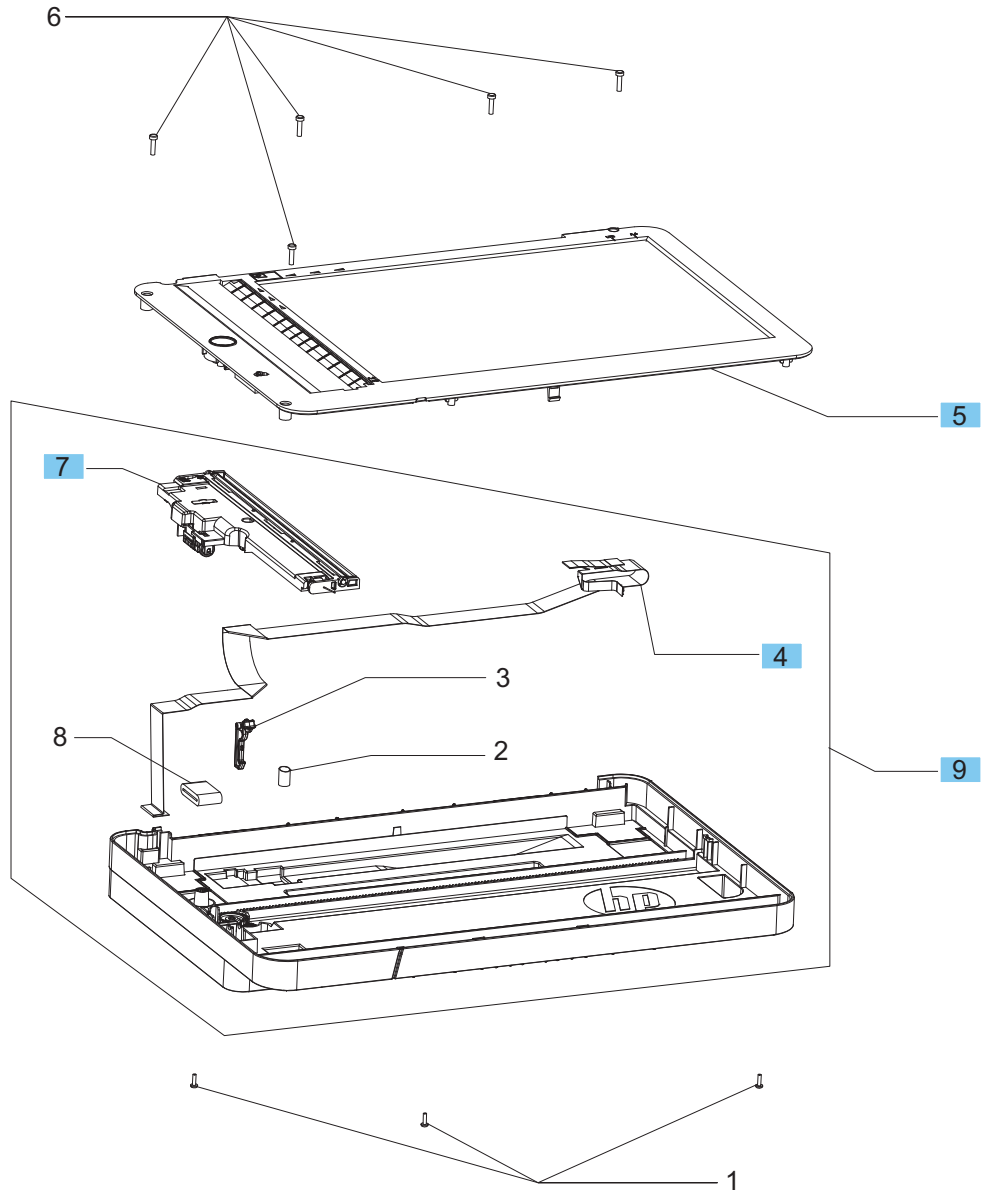



Table 2-14 Scanner assembly (M177 model)

Ref	Description	Part number	Qty
4	SSA FFC Cable, 20 Pin	CZ165-60106	1
5	Scan bezel assembly	CZ165-60115	1
7	Scan drive system assembly	CZ181-60104	1
9	Scanner base assembly	CZ165-60102	1

 **CAUTION:** Replace the internal scanner assemblies only in a dust-free environment.

Document feeder assembly (M177 model)

Figure 2-9 Document feeder assembly (M177 model)

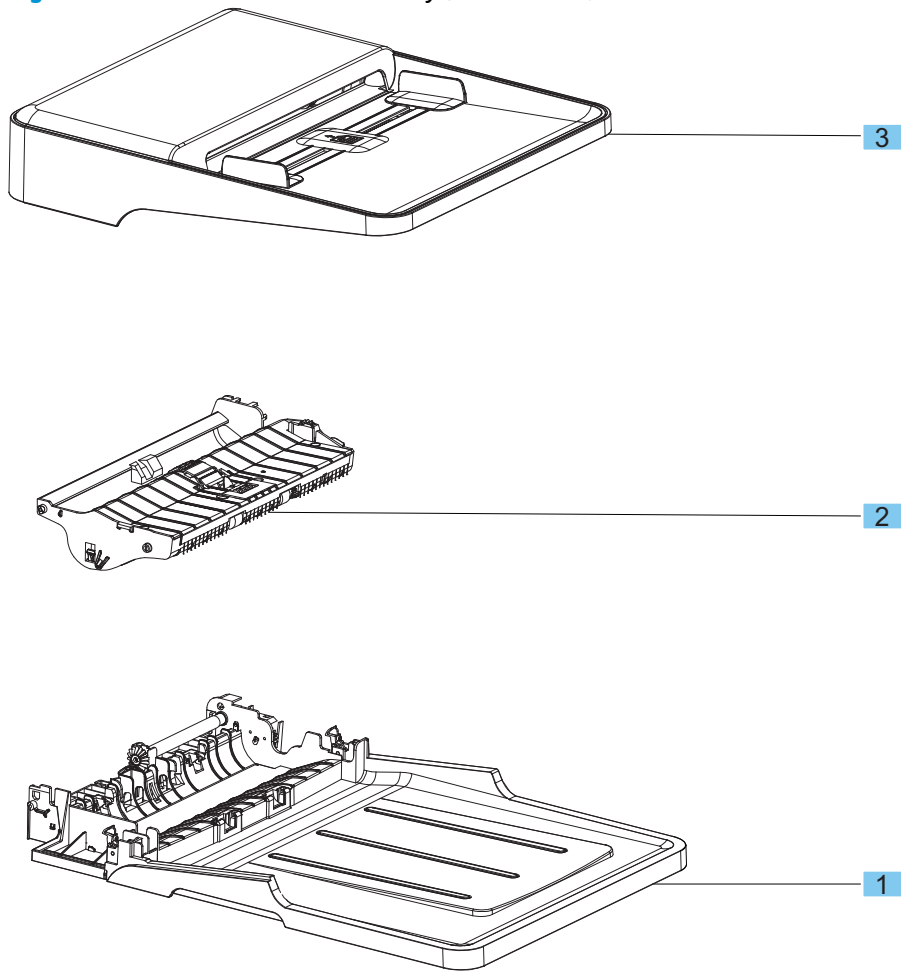


Table 2-15 Document feeder assembly (M177 model)

Ref	Description	Part number	Qty
1	ADF base	CZ165-60111	1
2	Core ADF assembly	CZ181-60107	1
3	ADF top cover assembly	CZ165-60110	1

ADF top cover assembly (M177 model)

Figure 2-10 ADF top cover assembly (M177 model)

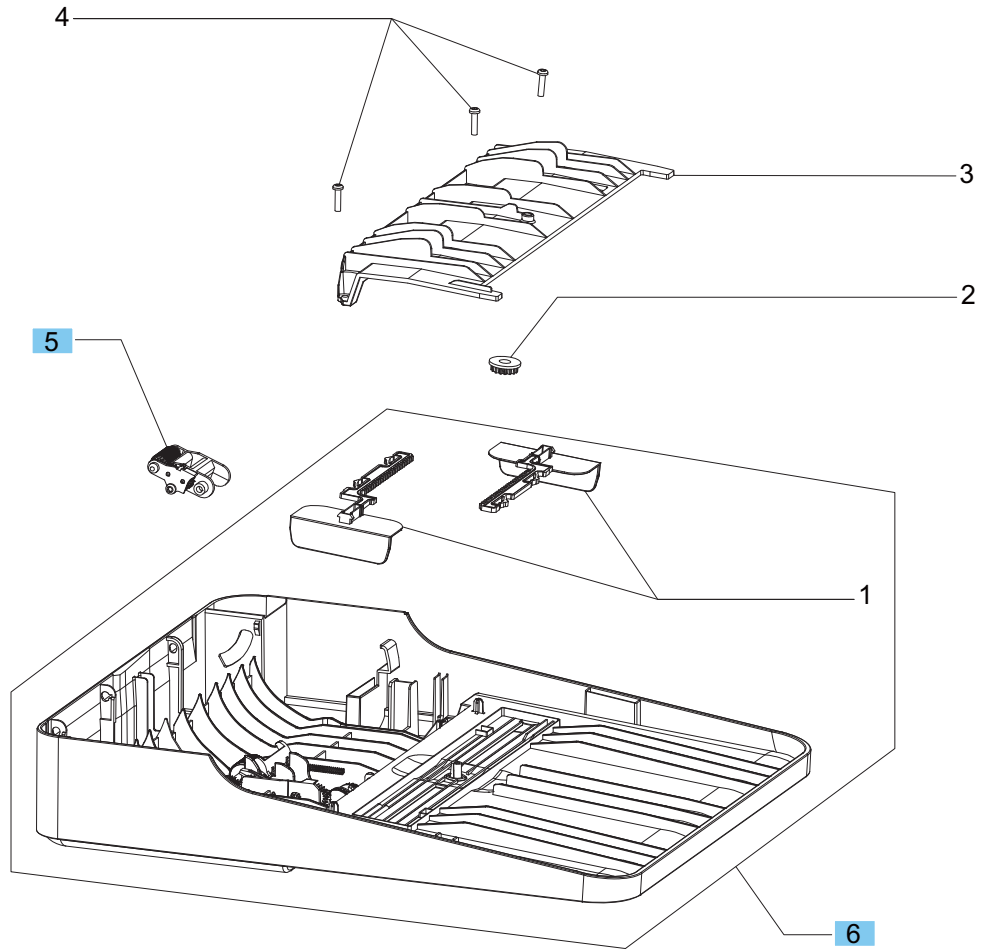


Table 2-16 ADF top cover assembly (M177 model)

Ref	Description	Part number	Qty
5	Assembly pre-pick arm	CB780-60032	1
6	Top cover with guide assembly	CZ165-60116	1

Core ADF assembly (M177 model)

Figure 2-11 Core ADF assembly (M177 model)

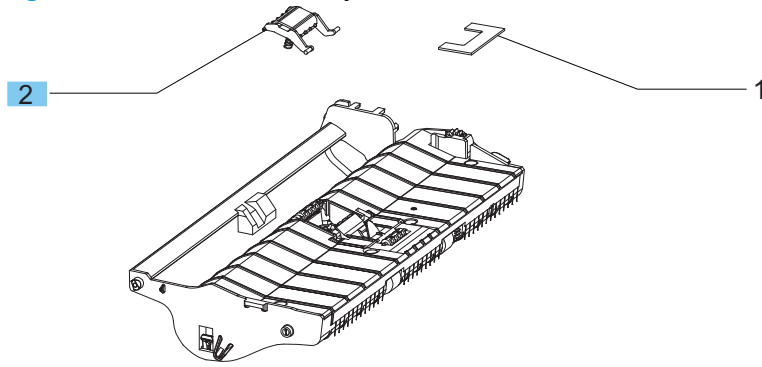


Table 2-17 Core ADF assembly (M177 model)

Ref	Description	Part number	Qty
2	Separator pad	CB780-60009	1

Alphabetical parts list

Table 2-18 Alphabetical parts list

Description	Part number	Table and page
ADF base	CZ165-60111	Document feeder assembly (M177 model) on page 123
ADF top cover assembly	CZ165-60110	Document feeder assembly (M177 model) on page 123
Assembly pre-pick arm	CB780-60032	ADF top cover assembly (M177 model) on page 125
Auto document feeder assembly	CZ165-60112	Scanner and document feeder main assemblies (M177 model) on page 119
Base plate assembly	RM2-0160-000CN	Internal assemblies on page 111
Control panel assembly–2 line LCD (M176 model) (not shown)	CF547-60109	Covers, panels, and doors on page 109
Control panel assembly–touchscreen (M177 model) (not shown)	CF547-60110	Covers, panels, and doors on page 109
Core ADF assembly	CZ181-60107	Document feeder assembly (M177 model) on page 123
Cover, dust	RC3-5146-000CN	Covers, panels, and doors on page 109
Cover, flat cable	RC3-5353-000CN	Covers, panels, and doors on page 109
Cover, fuser	RC3-5345-000CN	Covers, panels, and doors on page 109
Cover, grounding cable	RC3-5365-000CN	Internal assemblies on page 111
Cover, right	RC3-5348-000CN	Covers, panels, and doors on page 109
Door, cartridge	RC3-5357-000CN	Covers, panels, and doors on page 109
Engine controller PCA	RM2-7300-000CN	Internal assemblies on page 111
Extension tray assembly	RM2-0168-000CN	Covers, panels, and doors on page 109
Fax module–Asia/US (M177 model) (not shown)	CF206-60001	Internal assemblies on page 111
Fax module–Brazil (M177 model) (not shown)	CF208-60001	Internal assemblies on page 111
Fax module–EU (M177 model) (not shown)	CF207-60001	Internal assemblies on page 111
Fax rubber cap (M177 model) (not shown)	CZ185-40001	Covers, panels, and doors on page 109
Fuser delivery assembly (110–127 V)	RM2-0157-000CN	Internal assemblies on page 111
Fuser delivery assembly (220–240 V)	RM2-0167-000CN	Internal assemblies on page 111
Inner cover assembly	RM2-0139-000CN	Internal assemblies on page 111
Intermediate transfer belt assembly (ITB)	RM2-0175-000CN	Internal assemblies on page 111

Table 2-18 Alphabetical parts list (continued)

Description	Part number	Table and page
Left cover assembly	RL1-3930-000CN	Covers, panels, and doors on page 109
Lid, document	CF547-60111	Scanner and lid assembly (M176 model) on page 113
Low voltage power supply assembly (110-127V)	RM2-7292-000CN	Internal assemblies on page 111
Low voltage power supply assembly (220-240V)	RM2-7293-000CN	Internal assemblies on page 111
Main tray assembly	RM2-0144-000CN	Internal assemblies on page 111
Motor/encoder assembly	CN503-60006	Scan drive system (M176 and M177 models) on page 117
Operation panel assembly	RM2-0142-000CN	Covers, panels, and doors on page 109
PCA, formatter (M176 model) (not shown)	CF547-60001	Internal assemblies on page 111
PCA, formatter (M177 model) (not shown)	CZ165-60001	Internal assemblies on page 111
Power supply cover assembly	RM2-0164-000CN	Covers, panels, and doors on page 109
Rear cover/secondary transfer assembly	RM2-0162-000CN	Covers, panels, and doors on page 109
Right upper cover assembly	RL1-3936-000CN	Covers, panels, and doors on page 109
Roller, paper pick-up	RL1-2671-000CN	Internal assemblies on page 111
Scan bezel assembly	CF547-60112	Scanner assemblies (M176 model) on page 115
Scan bezel assembly	CZ165-60115	Scanner assembly (M177 model) on page 121
Scan drive system assembly	CZ181-60104	Scanner assemblies (M176 model) on page 115
Scan drive system assembly	CZ181-60104	Scanner assembly (M177 model) on page 121
Scanner assembly (M176 model)	CF547-60108	Scanner and lid assembly (M176 model) on page 113
Scanner assembly (M177 model)	CZ165-60109	Scanner and document feeder main assemblies (M177 model) on page 119
Scanner base assembly	CF547-60102	Scanner assemblies (M176 model) on page 115
Scanner base assembly	CZ165-60102	Scanner assembly (M177 model) on page 121
Scanner with spring assembly	CZ181-60113	Scan drive system (M176 and M177 models) on page 117
Scanner/ADF assembly	CZ165-60101	Scanner and document feeder main assemblies (M177 model) on page 119

Table 2-18 Alphabetical parts list (continued)

Description	Part number	Table and page
Scanner/ADF assembly (bulk pack) (not shown)	CZ165-60107	Scanner and document feeder main assemblies (M177 model) on page 119
Scanner/lid assembly	CF547-60101	Scanner and lid assembly (M176 model) on page 113
Scanner/lid assembly (bulk pack) (not shown)	CF547-60107	Scanner and lid assembly (M176 model) on page 113
Separation pad assembly	RM2-0170-000CN	Internal assemblies on page 111
Separator pad	CB780-60009	Core ADF assembly (M177 model) on page 127
SSA FFC Cable, 20 Pin	CZ165-60106	Scanner assemblies (M176 model) on page 115
SSA FFC Cable, 20 Pin	CZ165-60106	Scanner assembly (M177 model) on page 121
Support, frame	RC3-0230-000CN	Internal assemblies on page 111
Top cover with guide assembly	CZ165-60116	ADF top cover assembly (M177 model) on page 125
Upper cover assembly	RM2-0138-000CN	Covers, panels, and doors on page 109
WiFi board (M177 model) (not shown)	1150-7957	Internal assemblies on page 111

Numerical parts list

Table 2-19 Numerical parts list

Part number	Description	Table and page
1150-7957	WiFi board (M177 model) (not shown)	Internal assemblies on page 111
CB780-60009	Separator pad	Core ADF assembly (M177 model) on page 127
CB780-60032	Assembly pre-pick arm	ADF top cover assembly (M177 model) on page 125
CF206-60001	Fax module–Asia/US (M177 model) (not shown)	Internal assemblies on page 111
CF207-60001	Fax module–EU (M177 model) (not shown)	Internal assemblies on page 111
CF208-60001	Fax module–Brazil (M177 model) (not shown)	Internal assemblies on page 111
CF547-60001	PCA, formatter (M176 model) (not shown)	Internal assemblies on page 111
CF547-60101	Scanner/lid assembly	Scanner and lid assembly (M176 model) on page 113
CF547-60102	Scanner base assembly	Scanner assemblies (M176 model) on page 115
CF547-60107	Scanner/lid assembly (bulk pack) (not shown)	Scanner and lid assembly (M176 model) on page 113
CF547-60108	Scanner assembly (M176 model)	Scanner and lid assembly (M176 model) on page 113
CF547-60109	Control panel assembly–2 line LCD (M176 model) (not shown)	Covers, panels, and doors on page 109
CF547-60110	Control panel assembly–touchscreen (M177 model) (not shown)	Covers, panels, and doors on page 109
CF547-60111	Lid, document	Scanner and lid assembly (M176 model) on page 113
CF547-60112	Scan bezel assembly	Scanner assemblies (M176 model) on page 115
CN503-60006	Motor/encoder assembly	Scan drive system (M176 and M177 models) on page 117
CZ165-60001	PCA, formatter (M177 model) (not shown)	Internal assemblies on page 111
CZ165-60101	Scanner/ADF assembly	Scanner and document feeder main assemblies (M177 model) on page 119
CZ165-60102	Scanner base assembly	Scanner assembly (M177 model) on page 121
CZ165-60106	SSA FFC Cable, 20 Pin	Scanner assemblies (M176 model) on page 115
CZ165-60106	SSA FFC Cable, 20 Pin	Scanner assembly (M177 model) on page 121
CZ165-60107	Scanner/ADF assembly (bulk pack) (not shown)	Scanner and document feeder main assemblies (M177 model) on page 119

Table 2-19 Numerical parts list (continued)

Part number	Description	Table and page
CZ165-60109	Scanner assembly (M177 model)	Scanner and document feeder main assemblies (M177 model) on page 119
CZ165-60110	ADF top cover assembly	Document feeder assembly (M177 model) on page 123
CZ165-60111	ADF base	Document feeder assembly (M177 model) on page 123
CZ165-60112	Auto document feeder assembly	Scanner and document feeder main assemblies (M177 model) on page 119
CZ165-60115	Scan bezel assembly	Scanner assembly (M177 model) on page 121
CZ165-60116	Top cover with guide assembly	ADF top cover assembly (M177 model) on page 125
CZ181-60104	Scan drive system assembly	Scanner assemblies (M176 model) on page 115
CZ181-60104	Scan drive system assembly	Scanner assembly (M177 model) on page 121
CZ181-60107	Core ADF assembly	Document feeder assembly (M177 model) on page 123
CZ181-60113	Scanner with spring assembly	Scan drive system (M176 and M177 models) on page 117
CZ185-40001	Fax rubber cap (M177 model) (not shown)	Covers, panels, and doors on page 109
RC3-0230-000CN	Support, frame	Internal assemblies on page 111
RC3-5146-000CN	Cover, dust	Covers, panels, and doors on page 109
RC3-5345-000CN	Cover, fuser	Covers, panels, and doors on page 109
RC3-5348-000CN	Cover, right	Covers, panels, and doors on page 109
RC3-5353-000CN	Cover, flat cable	Covers, panels, and doors on page 109
RC3-5357-000CN	Door, cartridge	Covers, panels, and doors on page 109
RC3-5365-000CN	Cover, grounding cable	Internal assemblies on page 111
RL1-2671-000CN	Roller, paper pick-up	Internal assemblies on page 111
RL1-3930-000CN	Left cover assembly	Covers, panels, and doors on page 109
RL1-3936-000CN	Right upper cover assembly	Covers, panels, and doors on page 109
RM2-0138-000CN	Upper cover assembly	Covers, panels, and doors on page 109

Table 2-19 Numerical parts list (continued)

Part number	Description	Table and page
RM2-0139-000CN	Inner cover assembly	Internal assemblies on page 111
RM2-0142-000CN	Operation panel assembly	Covers, panels, and doors on page 109
RM2-0144-000CN	Main tray assembly	Internal assemblies on page 111
RM2-0157-000CN	Fuser delivery assembly (110-127 V)	Internal assemblies on page 111
RM2-0160-000CN	Base plate assembly	Internal assemblies on page 111
RM2-0162-000CN	Rear cover/secondary transfer assembly	Covers, panels, and doors on page 109
RM2-0164-000CN	Power supply cover assembly	Covers, panels, and doors on page 109
RM2-0167-000CN	Fuser delivery assembly (220–240 V)	Internal assemblies on page 111
RM2-0168-000CN	Extension tray assembly	Covers, panels, and doors on page 109
RM2-0170-000CN	Separation pad assembly	Internal assemblies on page 111
RM2-0175-000CN	Intermediate transfer belt assembly (ITB)	Internal assemblies on page 111
RM2-7292-000CN	Low voltage power supply assembly (110-127V)	Internal assemblies on page 111
RM2-7293-000CN	Low voltage power supply assembly (220-240V)	Internal assemblies on page 111
RM2-7300-000CN	Engine controller PCA	Internal assemblies on page 111

Index

A

- accessories
 - ordering 102
- ADF
 - removing 14
- ADF core
 - removal 92
- ADF input guides and gear
 - removal 97
- ADF pre-pickup arm assembly
 - removal 100
- ADF separation pad
 - removal 93
- ADF top cover
 - removal 91
- after-service checklist 4
- automatic document feeder
 - removing 14

B

- base plate
 - removing 78
- before-service checklist 4

C

- cartridge door
 - removing 35
- cartridges
 - part numbers 102
 - removing toner 5
- cautions iii
- control panel
 - removing 32
- control panel FFC
 - removing 46
- conventions, document iii
- cover, dust
 - removing 9

- cover, flat cable
 - removing 14, 16
- cover, fuser
 - removing 36
- cover, grounding cable
 - removing 30
- cover, inner
 - removing 28
- cover, left
 - removing 12
- cover, power supply
 - removing 38
- cover, right
 - removing 18
- cover, right top
 - removing 30
- cover, top
 - removing 20
- covers
 - locations 108
 - parts list 108

D

- diagrams
 - covers, panels, and doors 108
- document conventions iii
- document feeder
 - removing 14
- document feeder top cover
 - removal 91
- door, cartridge
 - removing 35
- door, front
 - removing 35
- door, rear
 - removing 37
- doors
 - parts list 108

drum

- removing imaging 7
- dust cover
 - removing 9

E

- ECU (engine controller assembly)
 - removing 49
- electrostatic discharge (ESD) 2
- engine controller assembly
 - removing 49
- ESD electrostatic discharge (ESD) 2
- extension tray
 - removing 9

F

- fax PCA
 - removing 45
- FFC, control panel
 - removing 46
- FFC, formatter-engine
 - removing 49
- field-replaceable units (FRUs)
 - replacing 2
- flat cable cover
 - removing 14, 16
- formatter PCA (M176 model)
 - removing 39
- formatter PCA (M177 model)
 - removing 44
- formatter-engine FFC
 - removing 49
- front door
 - removing 35
- FRUs (field-replaceable units)
 - replacing 2
- fuser cover
 - removing 36

fuser delivery assembly
removing 54

G

grounding cable cover
removing 30

I

imaging drum
part numbers 102
removing 7

inner cover
removing 28

input tray
removing 9

installation 2
screws 2

See also replacing parts

intermediate transfer belt (ITB)
assembly
removing 61

ITB (intermediate transfer belt)
assembly
removing 61

L

laser/scanner
cautions for servicing 2

left cover
removing 12

location
assemblies 0

low-voltage power supply assembly
(LVPS)
removing 72

LVPS (low-voltage power supply)
assembly
removing 72

M

main assemblies
removing 39

N

notes iii

O

ordering
product documents 102
supplies and accessories 102
whole-unit replacement 105

output extension tray
removing 9

P

panels
parts list 108

paper pickup roller
removing 79

paper tray
removing 9

part numbers
imaging drum 102
toner cartridges 102
whole-unit replacement 105

parts
assemblies 0
cover locations 108
door locations 108
panel locations 108

PCA, engine controller assembly
removing 49

PCA, fax
removing 45

PCA, formatter (M176 model)
removing 39

PCA, formatter (M177 model)
removing 44

PCA, wireless
removing 42

power supply cover
removing 38

R

rear door
removing 37

removing parts
about 2
after-service checklist 4
before-service checklist 4
service approach 4
tools, required 2

repair approach 4

replacing parts
about 2
after-service checklist 4
before-service checklist 4
screws 2
service approach 4
tools, required 2

right cover
removing 18

right top cover
removing 30
roller, paper pickup
removing 79

S

scan bezel
removal 82

scan drive system
removal 84

scan FFC cable
removal 85

scan motor
removal 87

scanner (M176)
removing 16

scanner (M177)
removing 14

scanner spring assembly
removal 89

screwdrivers, required 2
screws

installing 2

types of 3

secondary transfer assembly
removing 37

separation pad
removing 11

service approach 4

static, precautions for 2
supplies

ordering 102

part numbers 102

support frame
removing 72

T

T2 assembly
removing 37

tips iii

toner cartridges
part numbers 102
removing 5

tools, required 2

top cover
removing 20

tray, extension
removing 9

tray, paper
 removing 9
troubleshooting
 service approach 4

W

warnings iii
wireless PCA
 removing 42



CZ165-90943

